



LATEST IN DESIGN, PREMIUM SOFT CLOSE HINGE FOR GLASS POOL FENCING

- ✓ **Sleek, minimalist style**
 - Slimmer profile & no bulky anti-toe hold cap
- ✓ **Stronger function**
 - Increased clamping force & closing action
 - No retensioning of spring required
- ✓ **Faster, easier install**
 - No adjustment required
 - One person install
 - No plate removal or greasing of screws
- ✓ **Leading 4 year warranty**
 - NATA tested and certified
 - Exceeds Australian standards



70 Kg
Max



950 W
2400 H
Max mm



10 mm
12 mm
Glass



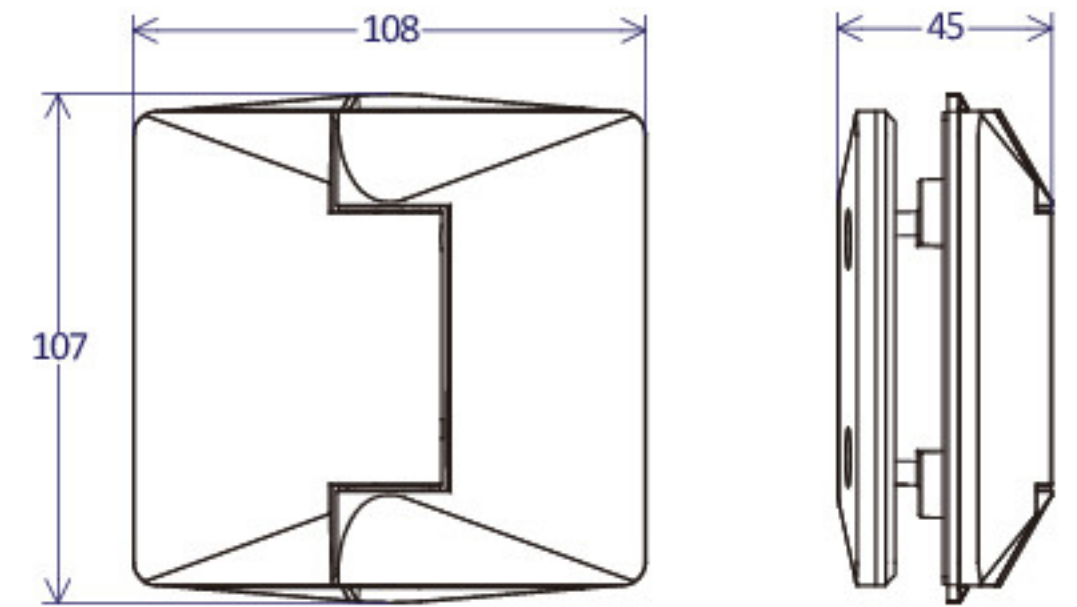
- 10°C
+ 50°C

Elite Glass Solutions
1300 4 ELITE

530 Series **GLASS GATE TO GLASS HINGE SET**

530G-P (Polished) 530G-S (Satin) 530G-B (Black)

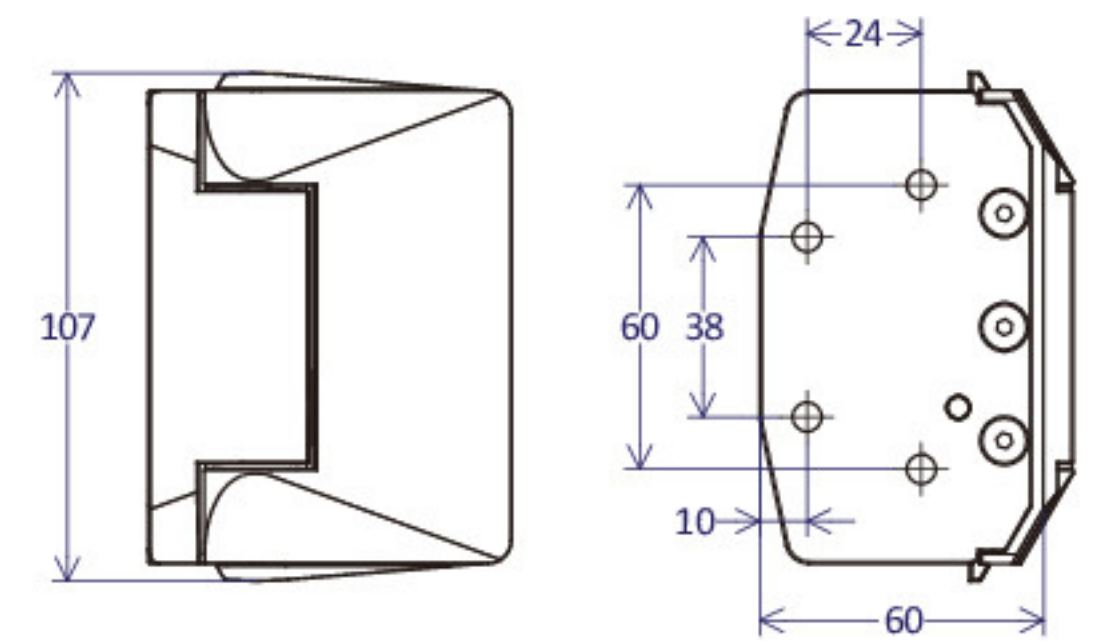
- Duplex 2205 stainless steel
- Soft close with adjustable speed
- Single action
- Non-hold open
- Anti-foot hold



530 Series **GLASS GATE TO WALL HINGE SET**

530W-P (Polished) 530W-S (Satin) 530W-B (Black)

- Duplex 2205 stainless steel
- Soft close with adjustable speed
- Single action
- Non-hold open
- Anti-foot hold



530 Series **SQUARE POST BRACKET SET**

530SPB-P (Polished) 530SPB-S (Satin) 530SPB-B (Black)

530 Series **ROUND POST BRACKET SET**

530RPB-P (Polished) 530RPB-S (Satin) 530RPB-B (Black)

- To be used with 530W glass gate to wall hinge set
- Duplex 2205 stainless steel